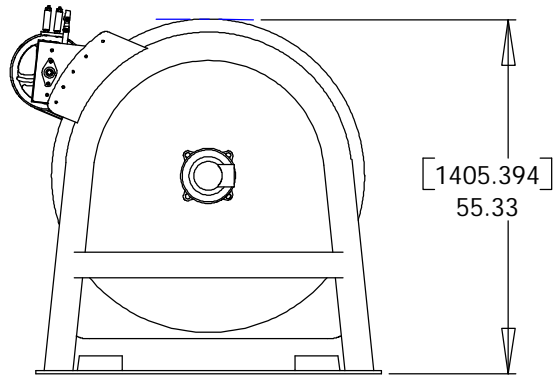
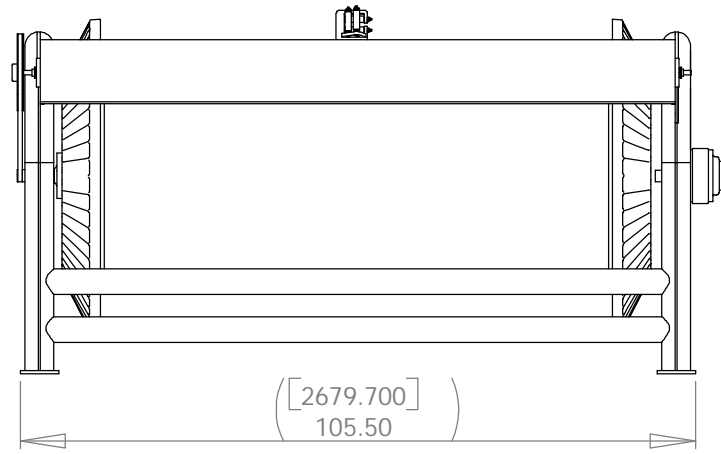


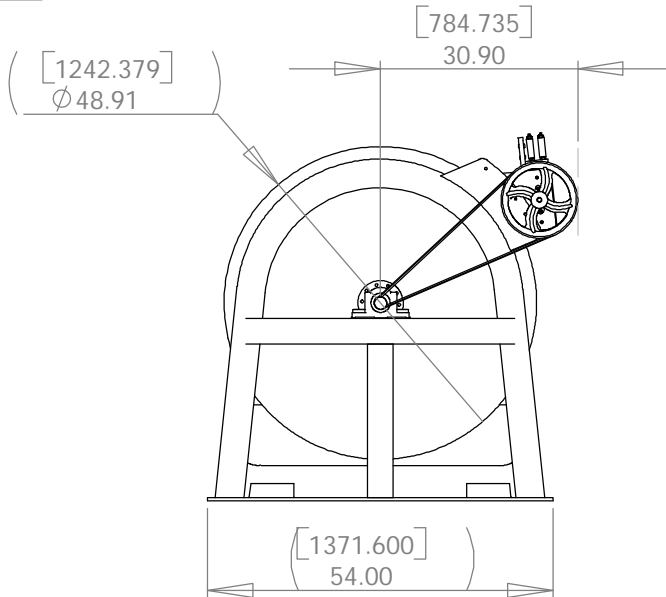
THE INFORMATION CONTAINED IN THIS DRAWING IS THE SOLE PROPERTY OF LINDGREN-PITMAN, INC. ANY REPRODUCTION IN PART OR WHOLE WITHOUT THE WRITTEN PERMISSION OF LINDGREN-PITMAN, INC. IS PROHIBITED.



[1405.394]
55.33



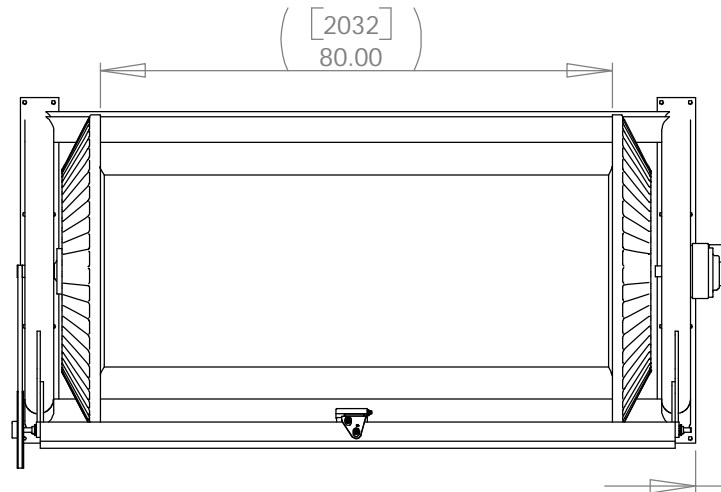
([2679.700])
105.50



[784.735]
30.90

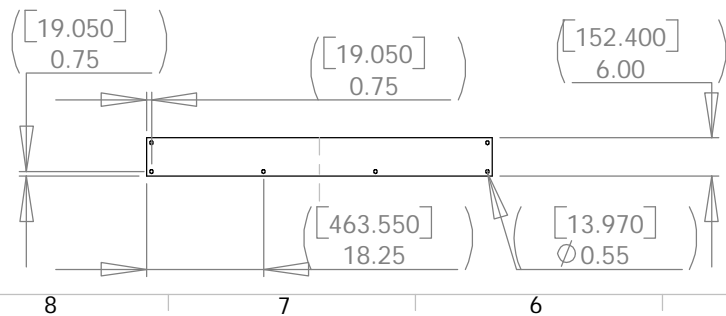
([1242.379])
Ø48.91

([1371.600])
54.00



([2032])
80.00

([114.300])
4.50




([19.050])
0.75

([19.050])
0.75

([152.400])
6.00

([463.550])
18.25

([13.970])
Ø0.55

ITEM NO.	PART OR IDENTIFYING NO.	NOMENCLATURE OR DESCRIPTION	MATERIAL SPECIFICATION	QTY REQD	
PARTS LIST					
UNLESS OTHERWISE SPECIFIED DIMENSIONS ARE IN INCHES TOLERANCES ARE: FRACTIONS DECIMALS ANGLES + .XX+ .XX + 1 .XXX+ .XXX		CAD GENERATED DRAWING, DO NOT MANUALLY UPDATE	 LINDGREN-PITMAN, INC. 48" x 80" SUPER SPOOL III		
MATERIAL --		APPROVALS			DATE
FINISH --		DRAWN			
NEXT ASSY USED ON		CHECKED			
APPLICATION		DO NOT SCALE DRAWING	RESP ENG		
			MFG ENG		
			QUAL ENG		
		SIZE A	DWG. NO.	REV.	
		SCALE	CAD FILE:	SHEET OF	